



MODELS		DN	KVS [m³/h]		STROKE [mm]
2-way	3-way		A-AB	B-AB	
VSBT3	VMBT3	3/4"	6,3	5,5	5,5
VSBT4	VMBT4	1"	10	9	
VSBT5	VMBT5	1"1/4	14	11	
VSBT6	VMBT6	1"1/2	18	12	



APPLICATION AND USE

VSBT two-way and VMBT three-way valves can be used for control in industrial and residential air-conditioning, thermoventilation and heating plants and in machinery for product thermal process. Three-way valves must be used only as mixers, angle way must never be employed for control purposes.

MANUFACTURING CHARACTERISTICS

G25 cast iron valve body.
Brass plug with Contoured-type profile on direct way and V-port profile on angle way.
CrNi steel stem. Female threaded connections.
Double BUNA O-ring stem packing.

TECHNICAL CHARACTERISTICS

Operating pressure:	1600 Kpa max (16 bar)
Control characteristic:	linear
Rangeability:	≥ 50 (Kvs/Kvm)
Leakage*:	
VSBT	< 0,03% of Kvs
VMBT	direct way < 0,03% of Kvs angle way < 2% of Kvs
Connections:	Female thread
Stroke:	5,5 mm
Allowed fluids:	
Water	max temperature 95 °C min. temperature 5 °C
Glycol-added	max 50%
Weight:	vedi dimensioni d'ingombro

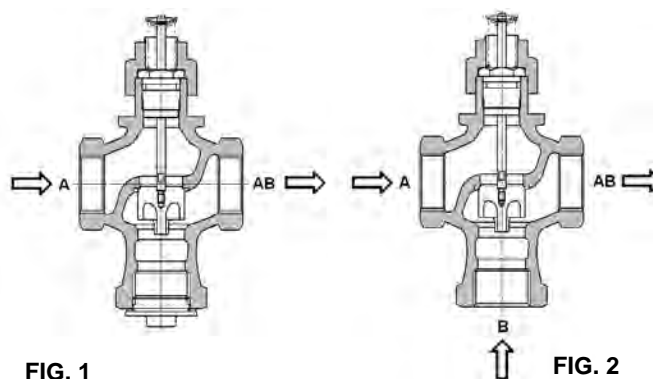
*Leakage is measured according to the EN1349 standard.

OPERATION

The valve is normally closed (A-AB way). By pushing the stem inwards, the actuator opens A-AB way and, in three-way valves, it contemporarily closes the angle way B-AB

INSTALLATION

Before mounting, ensure pipes are clean, free from weld slag, perfectly aligned with the valve body and not subjected to vibrations. As far as valve mounting positions are concerned, follow the instructions given in the actuator data sheets. While mounting, respect the directions indicated by the letters



ACTUATORS

VSBT and VMBT valves are motorized by CONTROLLI MVT actuators.

MAX DIFFERENTIAL PRESSURE [kPa]

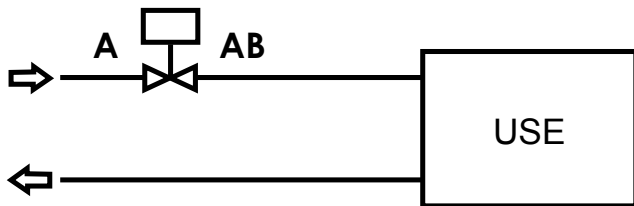
DN	direct way	angle way
3/4"	240	150
1"	150	100
1 1/4"	90	60
1 1/2"	60	40

DPmax = max differential pressure ensured by the actuator for normal operation.
100 Kpa = 1 bar

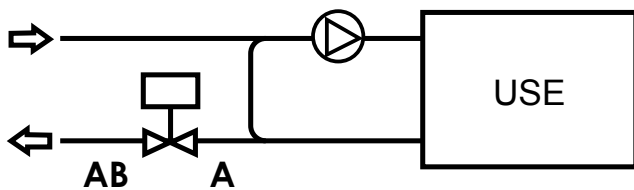
APPLICATION SCHEMES

VSBTPS81 VALVES

a) Variable flow control to the us

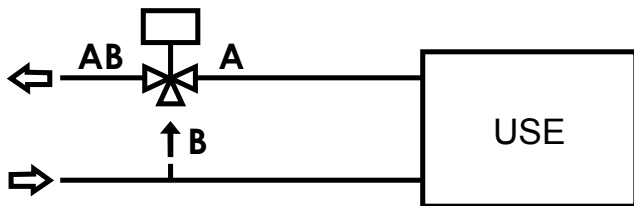


b) Constant flow control to the user in injection circuit

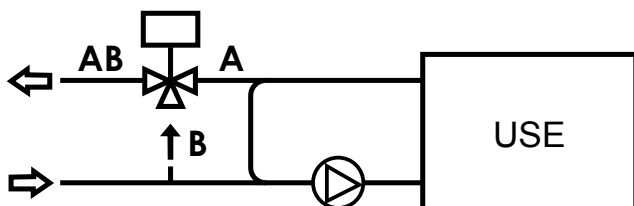


VMBTPS81 VALVES

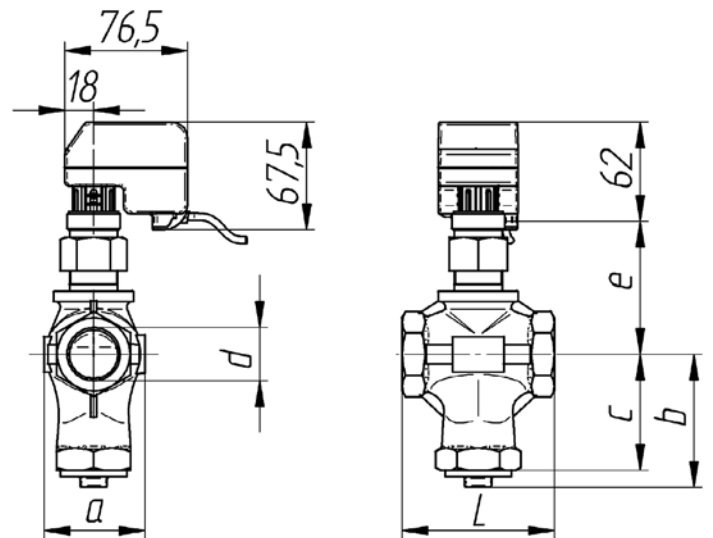
c) Variable flow mixing to the us



d) Constant flow mixing to the user in injection or tapping circuit



DIMENSIONS [mm]



DN	Ød	VSBT				VMBT				WEIGHT [Kg]
		L	a	e	b	L	a	e	c	
3/4"	G 3/4"	85	54	78	79	85	54	78	67,5	1,1
1"	G 1"	95	62	83	83	95	62	83	72,5	1,5
1"1/4"	G 1"1/4"	108	70	87	90	108	70	87	78,5	2
1"1/2"	G 1"1/2"	120	81	94	98	120	81	94	85,5	2,7

The performances stated in this sheet can be modified without any prior notice