

MODEL	VOLTAGE	CONTROL
MVX22R	110-230Vac	ON/OFF
MVX42R	24Vac/Vcc	
MVX52	24Vac	Proportional 0-10V

APPLICATION AND USE

MVX electrothermal actuators can be used with Micra® and Micra® Kvs 4-6 valves (DBL199e and DBL293e).

OPERATION

The actuator-valve assembly is easily made thanks to its threaded ring nut, which allows a comfortable cable positioning. All models are provided with a yellow stroke indicator (see below).

The actuators are available in the ON-OFF (230V and 24V) and in modulating (24V) with 0-10Vcc signal versions.

OPTIONS

PS107 actuator with M28x1,5 modified ring nut. For ordering add suffix PS107 to standard codes.

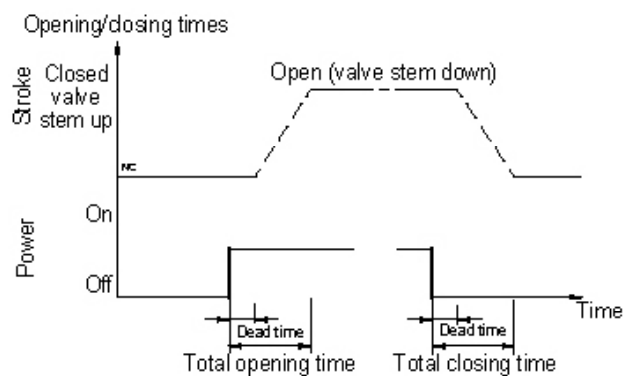
TECHNICAL CHARACTERISTICS

Supply voltage:	110 - 230Vac / 24Vac-Vcc 24Vac (only for MVX52)
Frequency:	50/60Hz
Power cable:	2m bipolar (0,35mm ²) 2m triple-pole (0,35mm ²) for MVX52
Protection degree:	IP44 (vertical mounting)
Temperature:	
- operatio	2T50°C
- storag	-10T60°C
Force:	140N
Material:	Technopolymer fire-resistant case: class V0



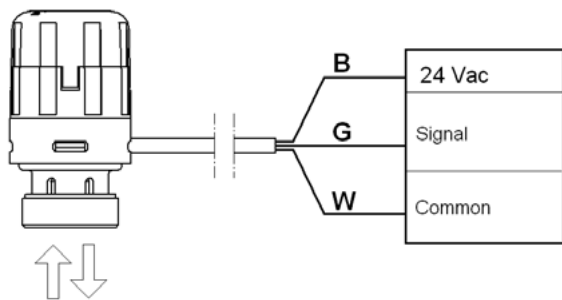
Consumption	MVX22R 230V	MVX22R 110V	MVX42R 24V	MVX52 24V
Starting	50VA	12VA	4VA	5VA
Operation	1.8VA	1.8VA	1.8VA	1.8VA

Starting Time



Actuator timing details (approx.) in seconds

Actuator	Voltage	Valve opening		Valve closing (after 5' power on)		Valve closing (after 30' power on)	
		Dead zone	Total time	Dead zone	Total time	Dead zone	Total time
MVX22R	230V	80	230	180	390	150	400
	110V	100	380	80	330	80	330
MVX42R-MVX52	24V	150	400	180	390	150	400

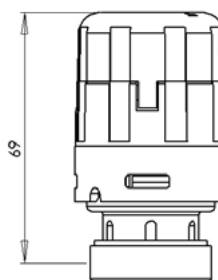
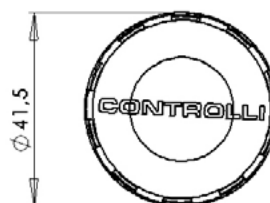
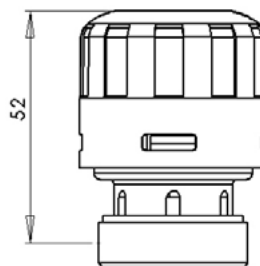


B = brown (24Vac - 50/60Hz)
 G = green (control signal 0-10Vcc)
 W = white (common)

SAFETY PERSCRIPTIONS

230V products

1. Install on the power supply line a screening device to avoid short circuits (fuse or magneto-thermic) according to the reference stadards.
2. In case of actuator removing from skilled staff, be sure that the power supply is disconnected.
3. roducts are maintenance free.



The performances stated in this sheet can be modified without any prior notice

Document non contractuel - Nous nous réservons le droit de faire évoluer les caractéristiques de nos produits sans préavis - FT/MVX/2019/05 - REV.1

Siège social Lyon / 9 rue de Catalogne - Parc des Pivolles - 69153 Décines Cedex / +33 (0)4 72 15 88 70 / contact@c2ai.com

Agence Île de France
paris@c2ai.com

Agence Est
mulhouse@c2ai.com

Agence Sud-Ouest
sudouest@c2ai.com

Service Export
export@c2ai.com



 contact@c2ai.com



 www.c2ai.com