

MODEL	POWER SUPPLY	DESCRIPTION
MVX52B	24Vac	Modulating 0-10 Vdc

APPLICATION AND USE

MVX52B electrothermal actuators can be used to motorize Controlli VSX..PB-VSXT..PB and LIBRA pressure independent control valves or Micra valves in case normally open function is required (Micra_DBL199e and Micra kv4-6_DBL293e).

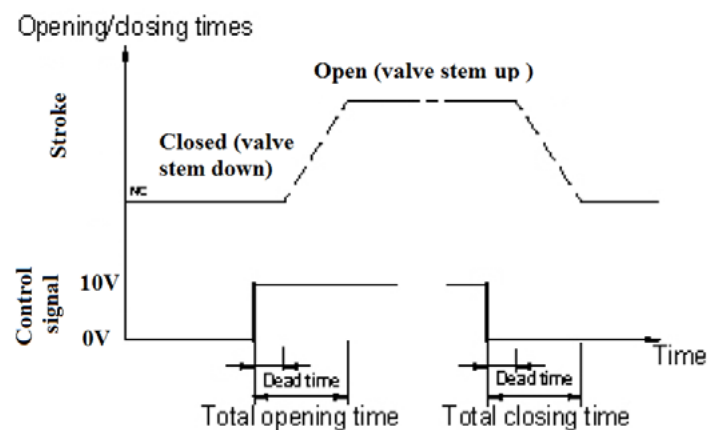
OPERATION

The actuator-valve assembly is easily made thanks to its threaded ring nut, which allows a comfortable cable positioning. The actuators are proportional reverse action with 0-10Vdc control signal and 4mm fixed stroke; with VSX..PB-VSXT..PB and LIBRA valves, a 0V signal corresponds to valve completely closed. The actuator is equipped with a potentiometer which allows to limit the valve max opening stroke (selectable from 20% up to 100%). Micra valves closure is guaranteed only by selecting 100%.

TECHNICAL CHARACTERISTICS

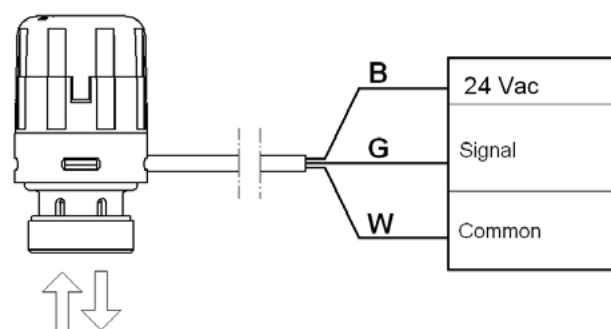
Power supply:	24Vac;
Frequency:	50/60Hz;
Power cable:	2m triple-pole (0,35mm ²);
Protection degree:	IP44 (vertical mounting);
Temperature:	
- operation:	2T50°C;
- storage:	-10T60°C;
Force:	140N;
Stroke:	4mm
Material:	Technopolymer fire-resistant case (class V0);
Consumption:	
- starting:	5VA;
- operation:	1.8VA;

Starting Time:



Actuator timing details (approx.) in seconds						
Power supply	Valve opening		Valve closing (after 5' power on)		Valve closing (after 30' power on)	
	Dead zone	Total time	Dead zone	Total time	Dead zone	Total time
24 Vac	150	400	180	390	150	400

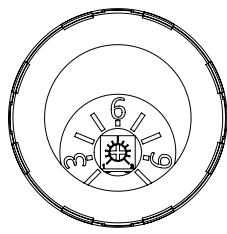
ELECTRIC CONNECTIONS



- B = brown (24Vac - 50/60Hz)
- G = green (control signal 0-10Vdc)
- W = white (common)

POTENTIOMETER SETTING

The actuator is equipped with a potentiometer which allows to limit the VSX..PB/VSXT..PB valve stroke (selectable from 20% up to 100%); the rotation of the potentiometer indicator corresponds to an adjustment of the maximum flow of the VSX..PB/VSXT..PB valve coupled with the actuator, according to the table entailed in the VSX..PB-VSXT..PB_DBL383e and LIBRA_DBL577e data sheet.

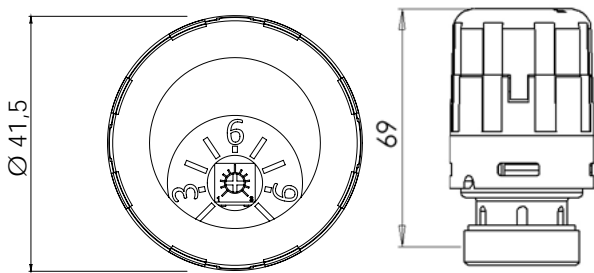


E.g., rotation set to 6 means limitation at 60% of the max valve stroke.

OPTIONS

PS107 actuator with M28x1,5 modified ring nut. For ordering add suffix PS107 to standard code.

DIMENSIONS [mm]



The performances stated in this sheet can be modified without any prior notice

Document non contractuel - Nous nous réservons le droit de faire évoluer les caractéristiques de nos produits sans préavis - FT/MVX52B/2020/01 - REV.1

Siège social Lyon / 9 rue de Catalogne - Parc des Pivoles - 69153 Décines Cedex / +33 (0)4 72 15 88 70 / contact@c2ai.com

Agence Île de France
paris@c2ai.com

Agence Est
mulhouse@c2ai.com

Agence Sud-Ouest
sudouest@c2ai.com

Service Export
export@c2ai.com



contact@c2ai.com



www.c2ai.com