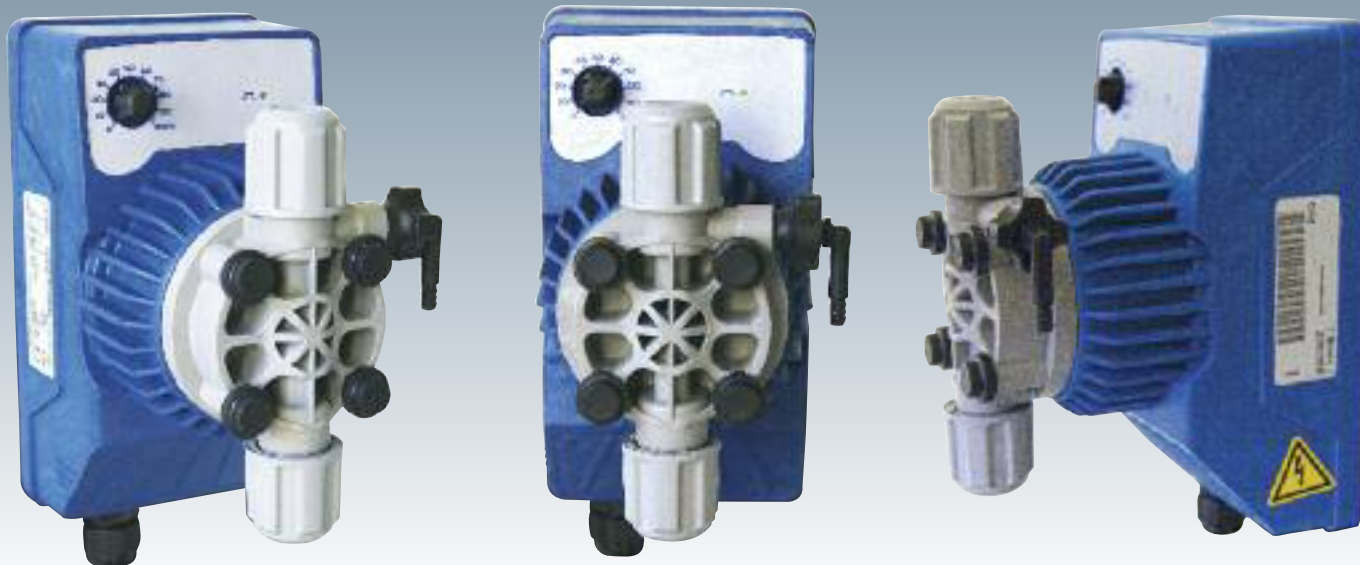
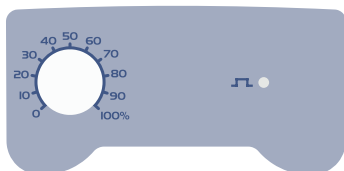




Features **Kompact**

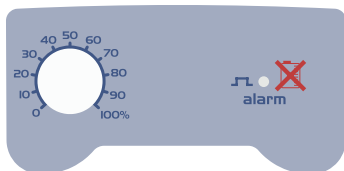


kompact is a simple yet reliable series of micro-processor based analogue solenoid dosing pumps.



AMS [constant dosage]

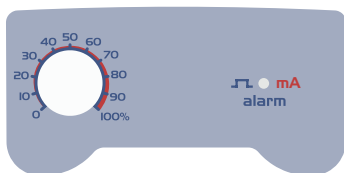
Constant flow rate manually adjustable by control dial on the front panel, Power-ON led indicator.



AML [constant dosage]

Constant flow rate manually adjustable by control dial on the front panel, two flow rate range:

- 0÷20% with switch in P position,
 - 0÷100% with switch in C position,
- Power-ON led indicator and level control input.

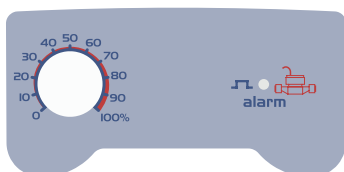


AMM [proportional dosage]

Constant flow rate manually adjustable, proportional flow rate according to an external analogue signal (4÷20 mA), Power-ON led indicator and level control input.

The two different modes are:

- **Constant** (switch in C position)
The pump constantly doses the rate selected with the potentiometer.
- **Proportional** (switch in P position)
The pump doses proportionally to the analogue input signal (4÷20 mA).



AMC [proportional dosage]

Constant flow rate manually adjustable, proportional flow rate according to a digital input signal (from water meter), Power-ON led indicator and level control input.

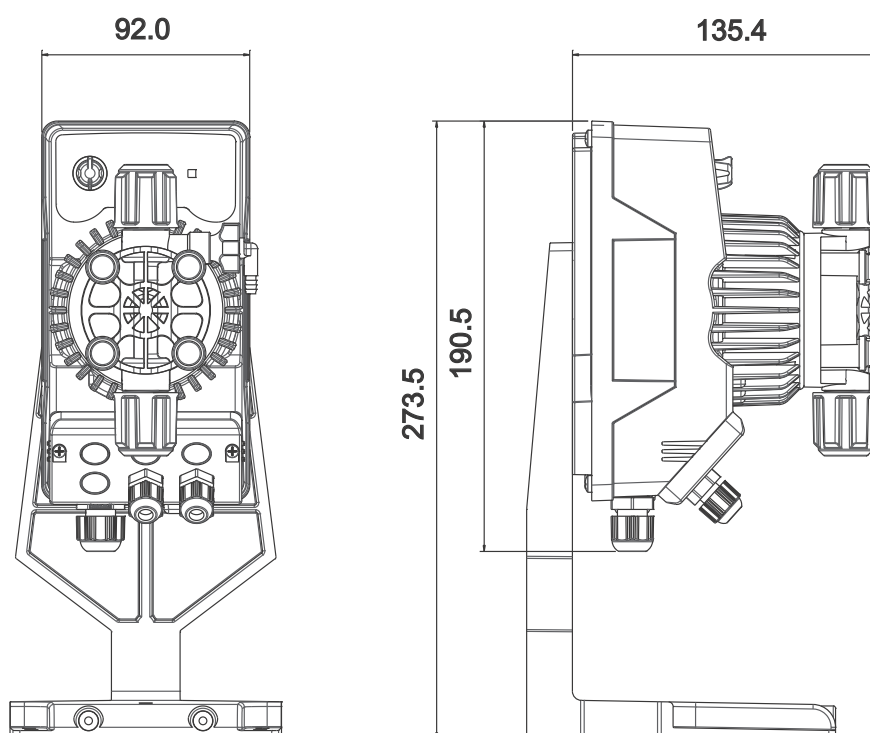
The two different modes are:

- **Constant** (switch in C position)
The pump constantly doses the rate selected with the potentiometer.
- **Proportional** (switch in P position)
The pump doses proportionally to the digital input signal (Division mode 4 : 1).

Features

Enclosure	Materials:	PP
	Protection degree:	IP65
Pump Head materials	Pump Body:	PVC [with manual priming valve]
	Valves:	PVC
	Balls:	Ceramic
	Diaphragm:	PTFE [the diaphragm has been tested over a period of 5 years]
Power Supply	AMS Model:	230 Vac 50 Hz Consumption 12 W
	AML / AMM / AMC Models :	100÷240 Vac 50/60 Hz [with reduced power consumption as the solenoid only draws the required power to activate the pump, based on the working conditions] Consumption 14 W
Flow rate manual adjustment		from 0 (operation stop) to 100% of max. flow rate
Wall mounting		With fixing bracket

Dimensional Drawings



Document non contractuel - Nous nous réservons le droit de faire évoluer les caractéristiques de nos produits sans préavis.

Siège social Lyon / 9 rue de Catalogne - Parc des Pivoles - 69153 Décines Cedex / +33 (0)4 72 15 88 70 / contact@c2ai.com

Agence Île de France
paris@c2ai.com

Agence Est
mulhouse@c2ai.com

Agence Sud-Ouest
sudouest@c2ai.com

Service Export
export@c2ai.com



Operation state LED

- Steady green LED switches off with every stroke that the pump runs.
- Flashing Green led with the potentiometer to 0.
- Steady red LED switches on with alarm.

In proportional mode

- Steady orange LED switches off with every stroke that the pump runs.
- Flashing orange LED with the potentiometer at 0.

Specifications

Type	200	
Pressure [bar]	8	10
Flow rate [l/h]	5	3
cc/stroke	0.52	0.31
Connections [mm]	4 / 6	
Stroke/min	160	



contact@c2ai.com

www.c2ai.com