

- 3 COLOUR LED DISPLAY
- INDEPENDENT TIMER
- WORKING HOURS COUNTER
- WATTMETER FUNCTION


FEATURES

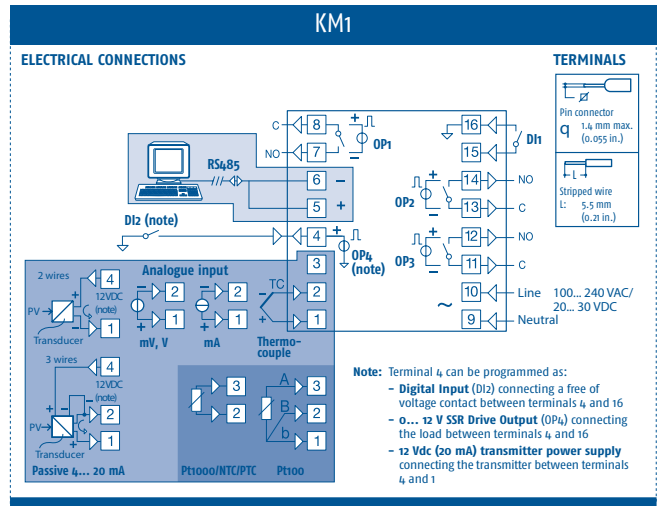
DISPLAY		KM1
Dual LED display	Main display: 4 digit h 15.5 mm, 3 colour red, green and amber Secondary display: 4 digit h 7 mm, green colour	
INPUTS		
Universal input (2 different configurations)	Thermocouples: J (-50... +1000°C/-58... +1832°F), K (-50... +1370°C/-58... +2498°F), S/R (-50... +1760°C/-58... +3200°F), T (-70... +400°C/-94... +752°F) Infrared sensors: J or K Thermoresistances: Pt 100 3 wires and Pt 1000 2 wires (-200... +850°C/-328... +1562°F) Linear signals: 0/12... 60mV, 0/4... 20mA, 0/1... 5V, 0/2...10V	
	Thermocouples: J (-50... +1000°C/-58... +1832°F), K (-50... +1370°C/-58... +2498°F), S/R (-50... +1760°C/-58... +3200°F), T (-70... +400°C/-94... +752°F) Infrared sensors: J or K Thermistors: PTC (-55... +150°C/-67... +302°F), NTC (-50... +110°C/-58... +230°F) Linear signals: 0/12... 60mV, 0/4... 20mA, 0/1... 5V, 0/2...10V	
Accuracy	±0.5% span ±1 digit, (±1% span ±1 digit for T/c S type)	
Digital Inputs	1 or 2 according to instrument's part number (the 2nd digital input is alternative to OUT4)	
OUTPUTS		
Up to 4	OUT1: Relay SPST- NO 4A/240 Vac or voltage to drive SSR 13V max. @ 1mA, 10.5 min. @ 15mA ±10% OUT2: Relay SPST-NO 2A/240 Vac or voltage to drive SSR 13V max. @ 1mA, 11.5 min. @ 15mA ±10% OUT3: Relay SPST-NO 2A/240 Vac or voltage to drive SSR 13V max. @ 1mA, 11.5 min. @ 15mA ±10% OUT4 programmable: voltage output to drive SSR 13V max. @ 1mA, 11.5 min. @ 15mA ±10%, transmitter supply or 2 nd digital input	
FUNCTIONALITIES		
Control	Single or double action PID, On/Off, Neutral Zone On/Off Autotuning and Selftuning algorithms, Overshoot control	
Alarms	3 programmable alarms as absolute, deviation, band	
Set Point	4 programmable Set Points	
Serial Communication	TTL (standard) + RS485 (optional), protocol MODBUS RTU	
Baud rate	1200... 38400 baud	
2 Hour counters	A cumulative non-erasable counter and a second one resettable with alarm	
Wattmeter function	Instantaneous power, time consumption	
EVOgreen	Stand by mode of display, selectable	
Timer (optional)	Independent with 4 function modes	
GENERAL		
Power supply	100... 240 Vac/dc -15... +10%, 24 Vac/dc ±10% (50/60 Hz)	
Power consumption	7 VA max.	
Dimensions / Weight	48 x 48 mm (1/16 DIN) - depth 63 mm / 125g	
Mounting	Flush in panel 45 x 45 mm	
Connection	16 screw terminals 2.5 mm ² (AWG22... AWG14) fix, plug-in or clamp type	
Front protection	IP 65 mounted on panel with gasket	
Operating and storage temperature	0... 50°C (32... 122°F)/-20... +70°C (-4... +158°F)	
Operating humidity	20... 95 RH% with no condensation	
Conformity	EN 61010-1, EN 61326	

HOW TO ORDER

To compose the instrument part no, pls. choose one of the code for each option

KM1	CODE
VERSION	
Controller	-
Controller + Timer	T
POWER SUPPLY	
24 VAC/DC	L
100... 240 VAC	H
INPUT	
TC, RTD, mA, V, mV/ Digital input 1	C
TC, NTC, PTC, mA, V, mV/Digital input 1	E
OUT 1	
Relay SPST 4A	R
VDCxSSR	0
OUT 2	
Relay SPST 2A	R
VDCxSSR	0
Not available	-
OUT 3	
Relay SPST 2A	R
VDCxSSR	0
Not available	-
IN/OUT 4	
Digital Input or Digital output or Tx supply	D
SERIAL COMMUNICATION	
RS485	S
TTL Modibus	-
TERMINALS	
Plug-in screw type	E
Plug-in screw type, fix part only	N
Clamp type	M
Fix screw type (standard)	-

CONNECTIONS



DIMENSIONS

