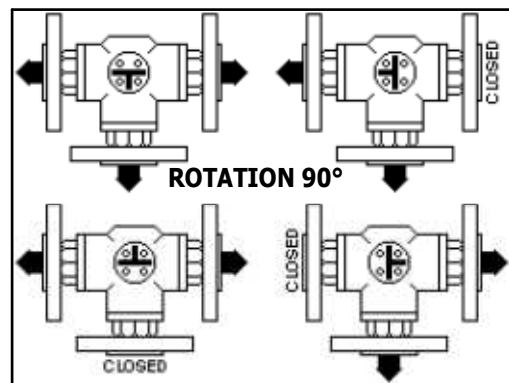
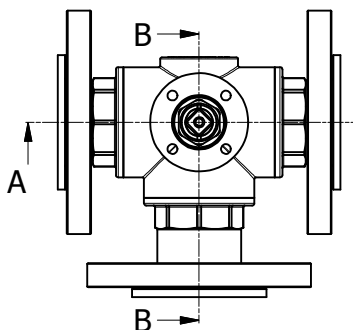


IN ACCORDING TO DIRECTIVE 97/23/CE

Ø	40	50	65
L	187	215	241
L 1	93.5	107.5	120.5
L 2	115.5	107.5	120.5
DN	32	40	50
H	73	80	90.5
E	12	12	12
Q	14	14	14
ISO	F05	F05	F05
*Nm	8	9	12
PN	16		

\*: data effected without pressure



Ref.	Parts	Material	Q.ty
1	Body	EN1982-CB754S	1
2	Ball	EN12164-CW614N	1
3	Seat	P.T.F.E.	4
4	Stem	EN12164-CW614N	1
5	O-Ring	NBR	4
6	Antiscuff bush	P.T.F.E. F391	1
7	Sleeve	EN12420-CW617N	3
8	O-Ring	NBR	2
9	Motor plate disc	EN12420-CW617N	1
10	Antiscuff ring	P.T.F.E. F391	1
11	Nut	EN12164-CW614N	1
12	Nut	EN12164-CW614N	1
13	Union	EN12420-CW617N	3
14	O-ring	NBR	3
15	Flange	Zincked steel	3

#### STANDARD VALVE FEATURES

- Working temperature : MIN. -10°C MAX. +100 °C
- Max pressure : 16 bar
- Flanged ends : UNI 2223 PN 16 - REVOLVING FLANGES
- Motor plate disc: ISO 5211

#### SPECIAL EXECUTIONS ON REQUEST

##### FLANGED ENDS PN6 - PN10

O-Ring in : FP/EPDM/SILICONE/HNBR

We don't assume the responsibility if you use products which are not consistent with the material used for the construction of our valves. To be used as a guide only, we reserve the right to change these data without notice.