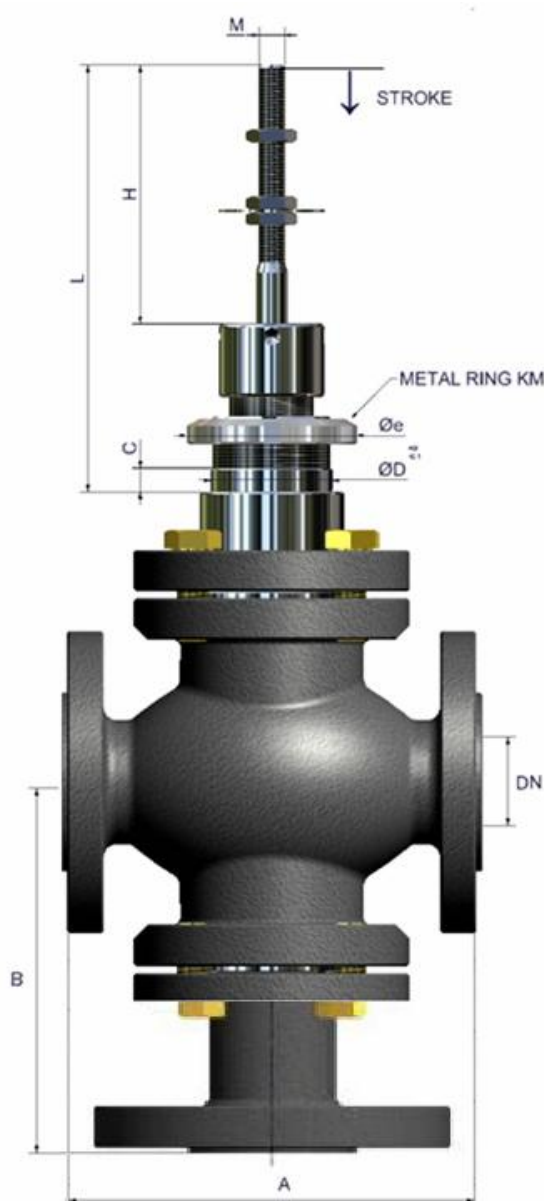


| Model | Description |
|------------------|---|
| 4200-2813 | 3-way stainless-steel globe valve with PN16 flanged connections, DN150, Kvs 260, mixing valve. Motorized by electro-mechanical actuator 24 Vac/dc, 4500N force, control input signal 4÷20mA / 2÷10Vdc |

APPLICATION

4200-2813 motorized valves are used to control fluids in accordance to article 13 of 2014/68/UE (PED) directive, in heating and cooling installations and in industrial processes; they cannot be used as safety valves.

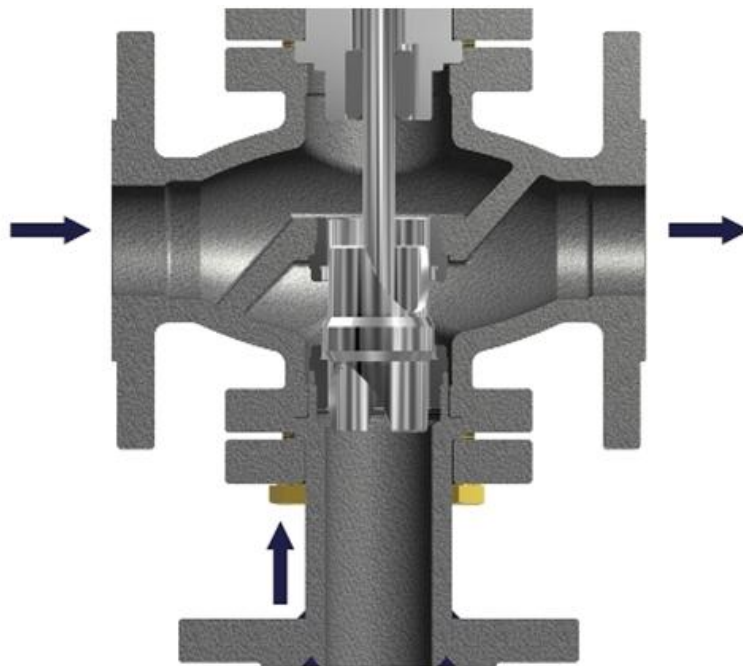
They must be used as 3WAY MIXING valves.



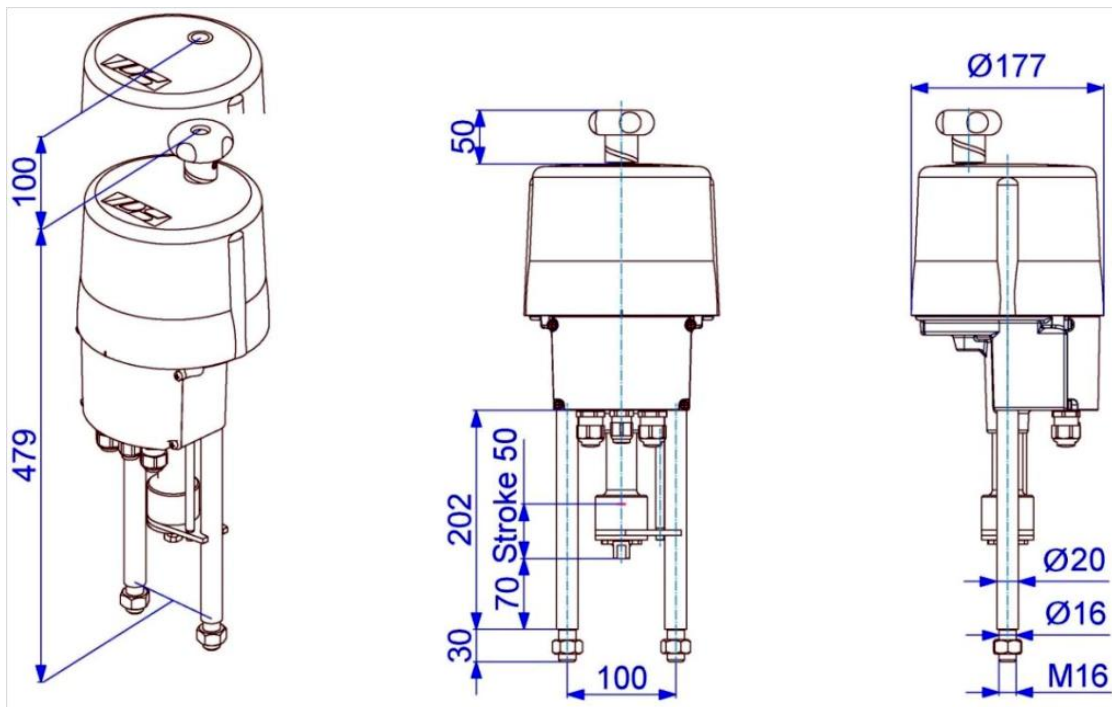
| DN | STROKE (mm) | H (mm) | M (stem) | Metal ring KM15 (M75x2) | Oe | C | D | L | A | B |
|-----|-------------|----------|------------|-------------------------------|-----|----|-----|-----|-----|-----|
| 150 | 50 mm | ~ 130,00 | M14 (M16*) | | Ø98 | 29 | Ø76 | 219 | 480 | 350 |

VALVE FEATURES

| | |
|-----------------------------|---|
| Construction | PN16 |
| Body | Stainless-steel: AISI 316 (CF8M) |
| Plug and Seat | Stainless-steel: AISI 316L |
| Stem | Stainless-steel: AISI 316L |
| Plug type | V-Port |
| Connections | UNI PN 16 |
| Stroke | 50mm |
| Control characteristic | Linear |
| Flow coefficient | Cv 300 (Kvs 260) |
| Min. fluid temperature (°C) | -30°C |
| Max. fluid temperature (°C) | 180°C |
| Fluid | according to article 13 of 2014/68/UE (PED) Directive |
| Plug/Seat sealing | Soft (Class VI): PTFE |
| Stem sealing | PTFE |
| Weight | 190 kg |
| Max. Diff. Pressure | 250 kPa |
| Installation | 3way mixing: two inlets and one outlet. Flow direction according to the arrows marked on the valve body casting |



ELECTRO-MECHANICAL ACTUATOR



| | |
|------------------------|---------------------|
| Actuator model | PSL204AMS11 |
| Actuator power supply | 24Vac/dc |
| Power consumption (VA) | 18 (Vac) / 16 (Vdc) |
| Force | 4500N |
| Protection rating | IP65 |
| Input signal | 4÷20mA / 2÷10Vdc |
| Feedback signal | 4÷20mA / 2÷10Vdc |
| Weight | 8 kg |
| Auxiliary switches | 2 |

ELECTRICAL TERMINALS BOARD

| 1-Phase AC / DC | | | | | | | | | | | | | | | | | | | | | 3-Phase AC | | | | | | | | |
|----------------------------|--------------------------------|---------------------------------|-------------------------|---------------|------------------------|--------|----------------------------------|-----------------|--|-------------|----------------|-----------------|-----------------|--------------|----------------------------|-----|-----------------------|----------|--------------------------|----------|-------------------------|----------------------|-------------------------|--------------|------------------|----|----|----|----------------------|
| 1 | 2 | 3 | 4 | 5 | 6 | 7 | 8 | 9 | 10 | 11 | 12 | 13 | 14 | 15 | 16 | 17 | 18 | 19 | 20 | 21 | 22 | 23 | ⊕ | RJ-45 TTL | Taster Button | L1 | L2 | L3 | PE |
| ↑ | ↑ | ↑ | ↔ | ↔ | ↓ | ↔ | ↔ | ↑ | ↑ | ↑ | ↑ | ↑ | ↔ | ↑ | ↑ | ↑ | ↔ | ↔ | ↔ | ↔ | ↑ | ↑ | ⊕ | | | ↑ | ↑ | ↑ | ⊕ |
| +0(2) - 10 V | +0(4) - 20 mA | GND | +0(2) - 10 V | +0(4) - 20 mA | GND | 24 VDC | max. Load 100 mA at 24 VDC | L+ OPEN | N/- | L+ CLOSE | L+ (24V AC/DC) | N/- (24V AC/DC) | 24 VDC / 100 mA | +0(2) - 10 V | +0(4) - 20 mA | GND | (Option) | (Option) | (Option) | (Option) | L/+ see tag plate | N/- see tag plate | PE | (Option) | | | | | protective conductor |
| Set value input | Active position feedback | Monitor relay potential-free | Binary input signals | | Fail safe signal | | Supply | Actual value | Position switch potential-free contact | | Closed | | Open | | Power supply voltage | | Fieldbus interface | | PC commu- nication | | Com- mission- ing | | Power supply voltage | | | | | | |
| Galvanically isolated 1 kV | | | | | | | | | | | | Process-Sensor | | | | | | | | | | | | | | | | | |

MOUNTING POSITION

