



The series consists of shut-off wafer ball valves with the body in stainless steel CF8-M with a floating ball, manufactured in accordance with the most severe product standards and the quality management of ISO 9001. They are available in the following versions:

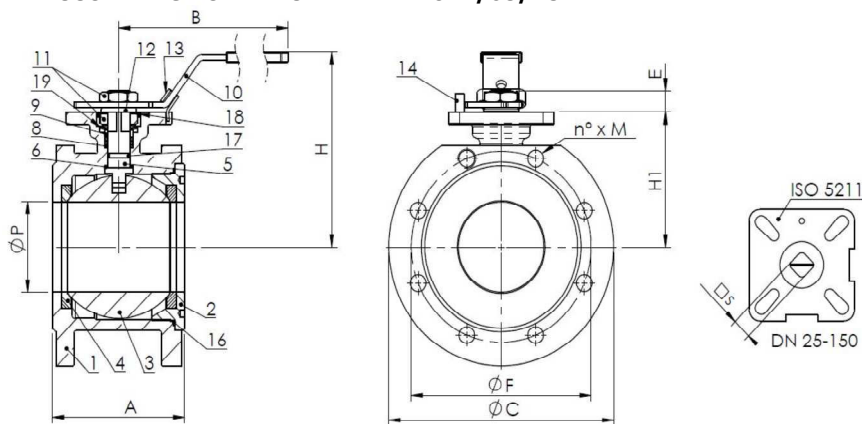
Suitable for chemical and industrial plants, for heating and conditioning (HVAC), district heating, agricultural applications, oils and hydrocarbons. (Please ensure the choice of the corresponding item)

YES for installation in line and end of line for services with frequent actuation, suitable for installation of manual, electric and pneumatic servo commands. Full and straight bore reducing turbulences and minimizing head loss.

NO for steam, for choking and regulation of the flow.



IN ACCORDING TO DIRECTIVE PED 2014/68/EU



DIMENSIONS

DN		15	20	25	32	40	50	65	80	100
P		15	20	25	32	40	50	65	76	94
A	non unificato Not standardized	36	38	53	53	65	78	98	118	140
H		89	94	90	100	105	125	140	145	175
H1		55.3	60.3	58.4	70.5	76.5	84.5	94.5	110.5	122.5
B		120	120	160	160	200	200	255	255	300
C		95	105	115	140	150	165	185	200	220
F	EN 1092/1 PN40	65	75	85	100	110	125	145	-	-
F	EN 1092/1 PN16	-	-	-	-	-	-	145	160	180
n° x M		4 x M12	4 x M12	4 x M12	4 x M16	4 x M16	4 x M16	4 x M16	8 x M16	8 x M16
ISO 5211		F03/04	F03/04	F04/F05	F04/F05	F05/F07	F05/F07	F07/F10	F07/F10	F07/F10
E		9.5	9.5	10	12.5	14.5	14	17	16	19
S		9	9	11	11	14	14	17	17	17

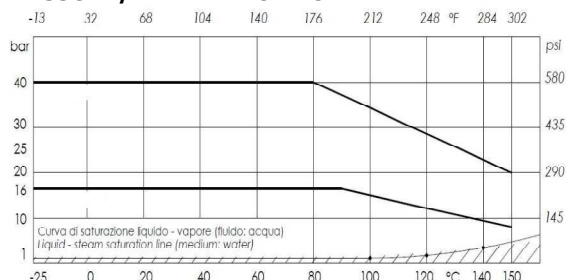
WEIGHT

kg		1.11	1.48	1.93	3.1	4.2	5.37	8.2	11.9	16.9
----	--	------	------	------	-----	-----	------	-----	------	------

OPERATION TORQUE

Nm		5	8	10	14	18	25	48	75	110
----	--	---	---	----	----	----	----	----	----	-----

PRESSURE/TEMPERATURE CHART



NON ADATTA PER VAPORE. NON utilizzare in condizioni di temperatura e pressione al di sotto della curva di saturazione liquido-vapore (area tratteggiata) / RANGE NOT SUITABLE FOR STEAM. DO NOT use when temperature and pressure are below the liquid-steam saturation line (hatched area)

- LOCKABLE
- WITH ISO 5211 FLANGE INTEGRATED
- FULL BORE
- WAFER TYPE, REDUCED OVERALL DIM

COMPONENTS/MATERIAL

Component	Material
1 Body	Stainless steel ASTM A351 CF8M
2 Ring nut	Stainless steel ASTM A351 CF8M
3 Ball	Stainless steel AISI 316
4 Ball seat	Reinforced PTFE
5 Stem	Stainless steel AISI 316
6 Sliding washer	PTFE
8 Stem packing	PTFE
9 Pressing bush	Stainless steel AISI 304
10 Lever	AISI 304 with plastic sleeve
11 Hex nut	Stainless steel AISI 304
12 Ring	Stainless steel AISI 304
13 Stop plate	Stainless steel AISI 304
14 Stop pin	Stainless steel AISI 304
16 Body seal	PTFE
17 O-ring	FKM (Viton®)
18 Spacer	Stainless steel AISI 304
19 Belleville Spring	Stainless steel AISI 301

STANDARD VALVE FEATURES

- Working temperature : MIN. -25°C MAX. +150 °C
- PN: 40 bar up to DN50 - 16 bar from DN65 to DN100
- Flanged ends: UNI 1092 ISO 7005
- Possibility of locking device (on request)
- Possibility of motorization ISO 5211

Idrosfer declines every responsibility if products that are not compatible with materials used for the construction of their valves are identified.

To be used as a guide only, Idrosfer reserves the right to modify these details if deems it appropriate and without giving prior notice.

ASSEMBLY, USE AND MAINTENANCE INSTRUCTION

EQUIPMENT PRESSURE DESCRIPTION: TWO AND THREE WAY BALL VALVES, WITH STAINLESS STEEL BODY, FLOATING BALL

Suitable for chemical and industrial plants, for heating and conditioning (HVAC), district heating, agricultural applications, oils and hydrocarbons. (Please ensure the choice of the corresponding item)

YES: for services with frequent actuation; suitable for installing of manual, electric and pneumatic servo-commands.

NO: for steam, for choking and regulation of the flow.

STORING

Keep in a dry and closed place.

MAINTENANCE

The valve does not require maintenance.

RECOMMENDATIONS

Before carrying out maintenance, or dismantling the valve, be sure that the pipes, valves and liquids have cooled down, that the pressure has decreased and that the lines and pipes have been drained in case of toxic, corrosive, inflammable or caustic liquids. Temperatures above 50°C and below 0°C might cause damage to people.

INSTALLATION

Handle with care. The valve must be installed in either the ON or OFF position.

Water hammers might cause damage and ruptures. Inclination, torsions and misalignments of the piping may subject the installed valve to excessive stresses. It is recommended that elastic joints be used in order to reduce such effects as much as possible.

At sub-zero temperatures, the liquid between the body and ball may freeze, causing irreparable damage. If the valve is exposed to such conditions, insulation of the valve is recommended.

It is recommended that the valve be operated periodically, to prevent the build-up of materials on the ball and the seats.

DISPOSAL

For valve operating with hazardous media (toxic, corrosive...), if there is a possibility of residue remaining in the valve, take due safety precaution and carry out required cleaning operation. Personnel in charge must be trained and equipped with appropriate protection devices. Prior to disposal, disassemble the valve and separate the component according to various materials. Please refer to product literature for more information. Forward sorted material to recycling (e.g. metallic materials) or disposal, according to local and currently valid legislation and under consideration of the environment.