

**Infrared thermometer  
for measurement of  
smallest temperature  
differences of 0.025 K**
**Features:**

- New benchmark in low noise infrared thermometry
- Suitable for relative measurement of smallest temperature differences of 0.025 K
- Touches the physical limits ensuring low ambient temperature drift
- Complete solid state design without any moving parts
- Assures usability of a new class of ultra low noise level infrared thermometers


**Measurement specifications**

Temperature range (scalable via software)	-20 °C ... 150 °C
Spectral range	8 – 14 μm
Optical resolution (90 % energy)	15:1
CF-Optics (optional)	0.8 mm @ 10 mm
System accuracy (at ambient temperature 23 ±5 °C and object temperature >20 °C)	±1 % or ±1 °C <sup>2)</sup>
Repeatability (at ambient temperature 23 ±5 °C and object temperature >20 °C)	±0.3 % or ±0.3 °C <sup>2)</sup>
Temperature resolution	0.025 K (for temperatures >20 °C, AVG >0.2 s)
Response time (95 %)	150 ms (adjustable up to 999 s via optional programming device)
Emissivity / Amplification (adjustable via software)	0.100 – 1.100
Transmissivity (adjustable via software)	0.100 – 1.100
Signal processing (parameter adjustable only via optional software)	Peak hold, valley hold, average; extended hold function with threshold and hysteresis
Software	optris® Compact Connect

<sup>1)</sup> In dependence on supply voltage

<sup>2)</sup> Whichever is greater

**General specifications**

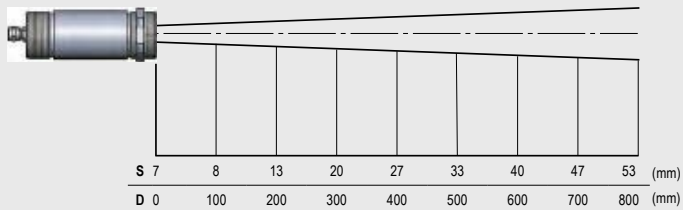
Environmental rating	IP 65 (NEMA-4)
Ambient temperature	-20 °C ... 75 °C
Storage temperature	-40 °C ... 85 °C
Relative humidity	10 – 95 %, non condensing
Vibration	IEC 68-2-6: 3 G, 11 – 200 Hz, any axis
Shock	IEC 68-2-27: 50 G, 11 ms, any axis
Weight	350 g

**Electrical Specifications**

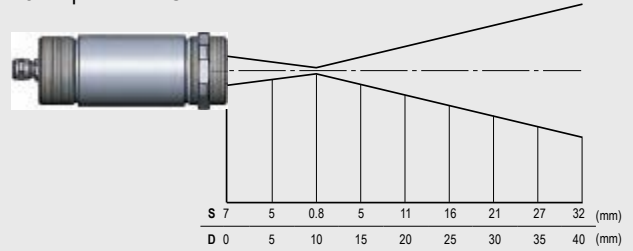
Output / analog	4 – 20 mA
Output / alarm	0 – 30 V / 500 mA (open collector)
Output / digital	USB (optional)
Loop impedance	Max. 1000 Ω <sup>1)</sup>
Cable length	8 m
Power supply	5 – 30 V DC

## Optical Specifications

### 15:1 optics

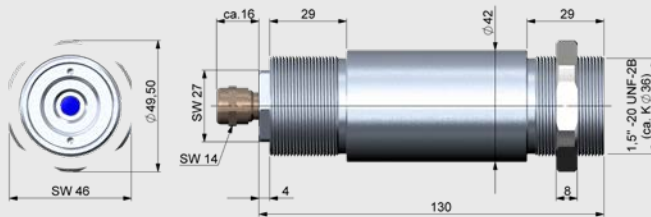


### 15:1 optics with CF-lens



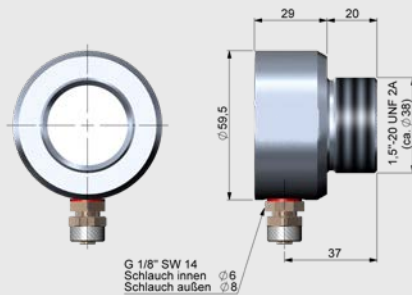
S= Spotsize / D= Distance

## Dimensions

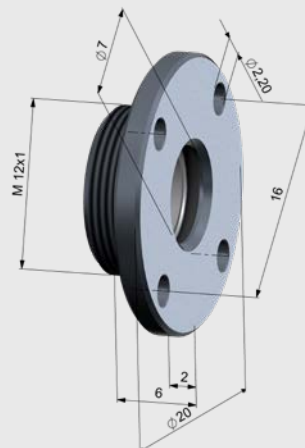


## Accessories

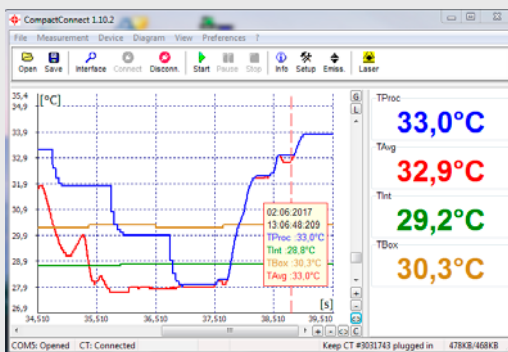
### Air purge collar



### CF-lens/Protective window



## Compact Connect Software



- Software for easy sensor setup and remote controlling, supports multi tasking
- Graphic display for temperature trends and automatic data logging for analysis and documentation with 1 ms response time
- Adjustment of signal processing functions and programming of outputs of the sensor
- Automatic emissivity adjustment
- The software CompactConnect allows to customize the sensor to application needs of the user

Document non contractuel - Nous nous réservons la possibilité de faire évoluer les caractéristiques de nos produits sans préavis

**Siège social Lyon** / 9 rue de Catalogne - Parc des Pivoles - 69153 Décines Cedex / +33 (0)4 72 15 88 70 / [contact@c2ai.com](mailto:contact@c2ai.com)

**Agence Île de France**  
[paris@c2ai.com](mailto:paris@c2ai.com)

**Agence Est**  
[mulhouse@c2ai.com](mailto:mulhouse@c2ai.com)

**Agence Sud-Ouest**  
[sudouest@c2ai.com](mailto:sudouest@c2ai.com)

**Service Export**  
[export@c2ai.com](mailto:export@c2ai.com)



[contact@c2ai.com](mailto:contact@c2ai.com)



[www.c2ai.com](http://www.c2ai.com)